

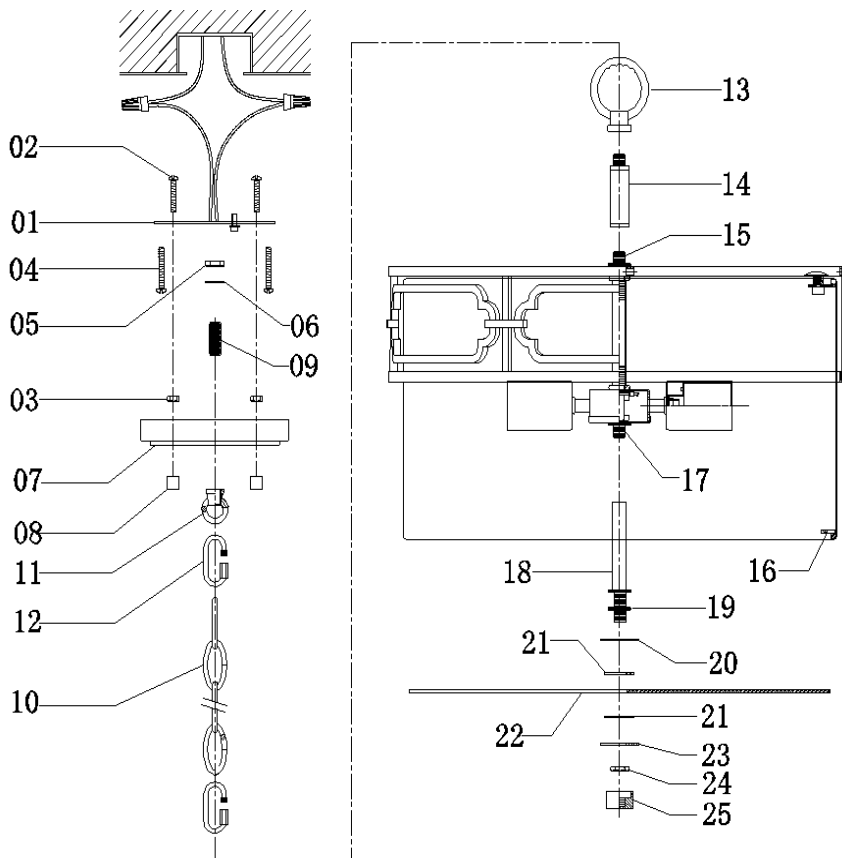


LIGHTING FIXTURE COMPANY

ASSEMBLY AND INSTALLATION INSTRUCTIONS for the **243431** Fixture

Important Safety information (Please read before proceeding)

1. Remove the fixture, parts and all mounting hardware bags (orange) from the carton and verify that all parts are present according to the illustration sheet. All parts must be used as indicated. Do not replace any parts, leave any parts out, or use any parts which are worn out or broken. **Failure to follow the instructions could cause a hazardous situation, voids the warranty and violates the U.L. listing of the fixture.**
2. To prevent the electric shock, turn off the main power at the circuit breaker before installing the fixture. **NEVER attempt to install, clean or replace bulbs without shutting off the electricity to the fixture.**
3. **Never use light bulbs with wattage ratings that exceed the fixtures maximum rating.** Always make sure the electric current is turned off before changing the bulbs.
4. If you experience difficulties installing the lighting fixture or it fails to work as expected, please contact a local qualified licensed electrical contractor.
5. Please contact your local Capital Lighting Fixture reseller with any assembly or installation questions. Your local reseller can also provide you with replacement parts for your new fixture.



Components

01. Mounting Bar w/Green Screw
02. Mounting Screws
03. Hex Nuts (8/32)
04. Outlet Box Mounting Screws
05. Hex Nut (1/8IP)
06. Lock Washer
07. Canopy
08. Cylinder Nuts
09. Nipple (1/8IP)
10. Chain
11. Small Loop (1/8IP)
12. Chain Links
13. Loop
14. Center Pipe
15. Fixture
16. Fabric Shade
17. Nipple
18. Center Pipe
19. Hex Nuts
20. Flat Washer
21. Rubber Washer
22. Glass Diffuser
23. Flat Washer
24. Hex Nuts
25. Finial

Assembly Instructions for Hanging the 243431 Fixture with a Chain:

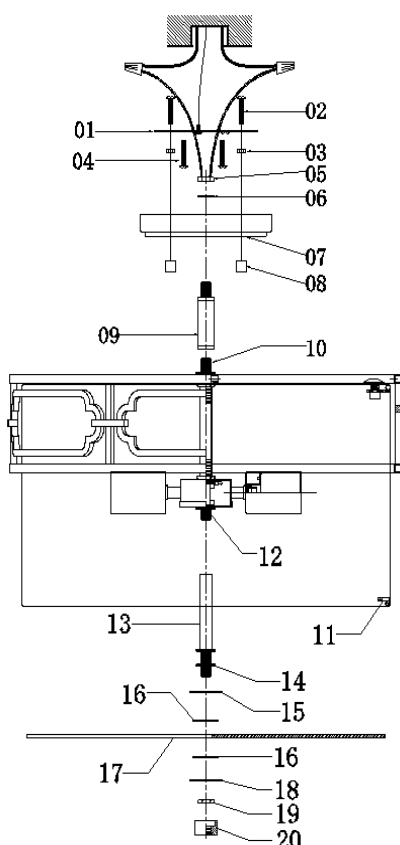
1. Pass lead wire from top of Fixture (15) through Center Pipe (14) and Loop (13), then screw Center Pipe (14) and Loop (13) onto top of Fixture (15) tightly.
2. Screw Center Pipe (18) onto end of Nipple (17), then adjust bottom Hex Nut (19) of Center Pipe (18) to proper position.
3. Put one set of Flat Washer (20) and Rubber Washer (21) onto top of Glass Diffuser (22), make sure the holes are in line, then raise Glass Diffuser (22) with another set of Rubber Washer (21) and Flat Washer (23) over end of Threaded Pipe (18). After that, secure Glass Diffuser (22) to bottom of Fabric Shade (16) with Hex Nut (24) tightly. (DO NOT over tighten.)
4. Screw Finial (25) onto end of Threaded Pipe (18). (DO NOT over tighten.)
5. Pass lead wire through one Chain Link (12), Chain (10), another Chain Link (12), Loop (11), Nipple (09) and Canopy (07), then slip Lock Washer (06), thread Hex Nut (05) onto Nipple (09). Finally, tighten Hex Nut (05) to secure Loop (11) onto Canopy (07) together.
6. Find appropriate threaded holes on Mounting Bar (01), and assemble Mounting Screws (02) into threaded holes with Hex Nuts (03).
7. Attach Mounting Bar (01) to Outlet Box with Outlet Box Mounting Screws (04).
8. Raise whole Fixture (15) toward outlet box, then connect fixture ground wire to the outlet box ground wire with wire connector supplied; connect the common wire of the lamp cord to the power supply white wire with wire connector supplied; connect supply wire of the lamp cord to the power supply black wire with wire connector supplied. *Note: This fixture is wired using 2 conductor Lamp cord. The insulation between the two conductors on the lamp cord can be split down the center for better access to the two conductors. The common wire on the lamp cord is identified as the conductor with ribs embossed in the rubber wire insulation.*
9. Push fixture to ceiling, carefully passing Mounting Screws (02) through holes in Canopy (07), then verify all wires are securely inside Canopy (07). Finally, secure fixture to ceiling with Cylinder Nuts (08).



ASSEMBLY AND INSTALLATION INSTRUCTIONS for the **243431** Fixture

Important Safety information (Please read before proceeding)

1. Remove the fixture, parts and all mounting hardware bags (orange) from the carton and verify that all parts are present according to the illustration sheet. All parts must be used as indicated. Do not replace any parts, leave any parts out, or use any parts which are worn out or broken. **Failure to follow the instructions could cause a hazardous situation, voids the warranty and violates the U.L. listing of the fixture.**
2. To prevent the electric shock, turn off the main power at the circuit breaker before installing the fixture. **NEVER attempt to install, clean or replace bulbs without shutting off the electricity to the fixture.**
3. **Never use light bulbs with wattage ratings that exceed the fixtures maximum rating.** Always make sure the electric current is turned off before changing the bulbs.
4. If you experience difficulties installing the lighting fixture or it fails to work as expected, please contact a local qualified licensed electrical contractor.
5. Please contact your local Capital Lighting Fixture reseller with any assembly or installation questions. Your local reseller can also provide you with replacement parts for your new fixture.



Components

01. Mounting Bar w/Green Screw
02. Mounting Screws
03. Hex Nuts (8/32)
04. Outlet Box Mounting Screws
05. Hex Nut (1/8IP)
06. Lock Washer
07. Canopy
08. Cylinder Nuts
09. Center Pipe
10. Fixture
11. Fabric Shade
12. Nipple
13. Center Pipe
14. Hex Nuts
15. Flat Washer
16. Rubber Washer
17. Glass Diffuser
18. Flat Washer
19. Hex Nuts
20. Finial

Assembly Instructions to Flush Mount the 243431 fixture:

1. Remove pre-wired loop from top of fixture (10), then pass lead wire through Center Pipe (09), Canopy (07), then slip Lock Washer (06), thread Hex Nut (05) onto Nipple end of Fixture Top (10). Finally, screw all together tightly.
2. Screw Center Pipe (13) onto end of Nipple (12), then adjust bottom Hex Nut (14) of Center Pipe (13) to proper position.
3. Put one set of Flat Washer (15) and Rubber Washer (16) onto top of Glass Diffuser (17), make sure the holes are in line, then raise Glass Diffuser (17) with another set of Rubber Washer (16) and Flat Washer (18) over end of Threaded Pipe (13). After that, secure Glass Diffuser (17) to bottom of Fabric Shade (11) with Hex Nut (19) tightly. (DO NOT over tighten.)
4. Screw Finial (20) onto end of Threaded Pipe (13). (DO NOT over tighten.)
5. Find appropriate threaded holes on Mounting Bar (01), and assemble Mounting Screws (02) into threaded holes with Hex Nuts (03).
6. Attach Mounting Bar (01) to Outlet Box with Outlet Box Mounting Screws (04).
7. Raise whole Fixture (10) toward outlet box, then connect fixture ground wire to the outlet box ground wire with wire connector supplied; connect the common wire of the lamp cord to the power supply white wire with wire connector supplied; connect supply wire of the lamp cord to the power supply black wire with wire connector supplied. *Note: This fixture is wired using 2 conductor Lamp cord. The insulation between the two conductors on the lamp cord can be split down the center for better access to the two conductors. The common wire on the lamp cord is identified as the conductor with the printed marking and or the ribs embossed in the rubber wire insulation.*
8. Push fixture to ceiling, carefully passing Mounting Screws (02) through holes in Canopy (07), then verify all wires are securely inside Canopy (07). Finally, secure fixture to ceiling with Cylinder Nuts (08).